
Comfort-Aire®

 **Century**®

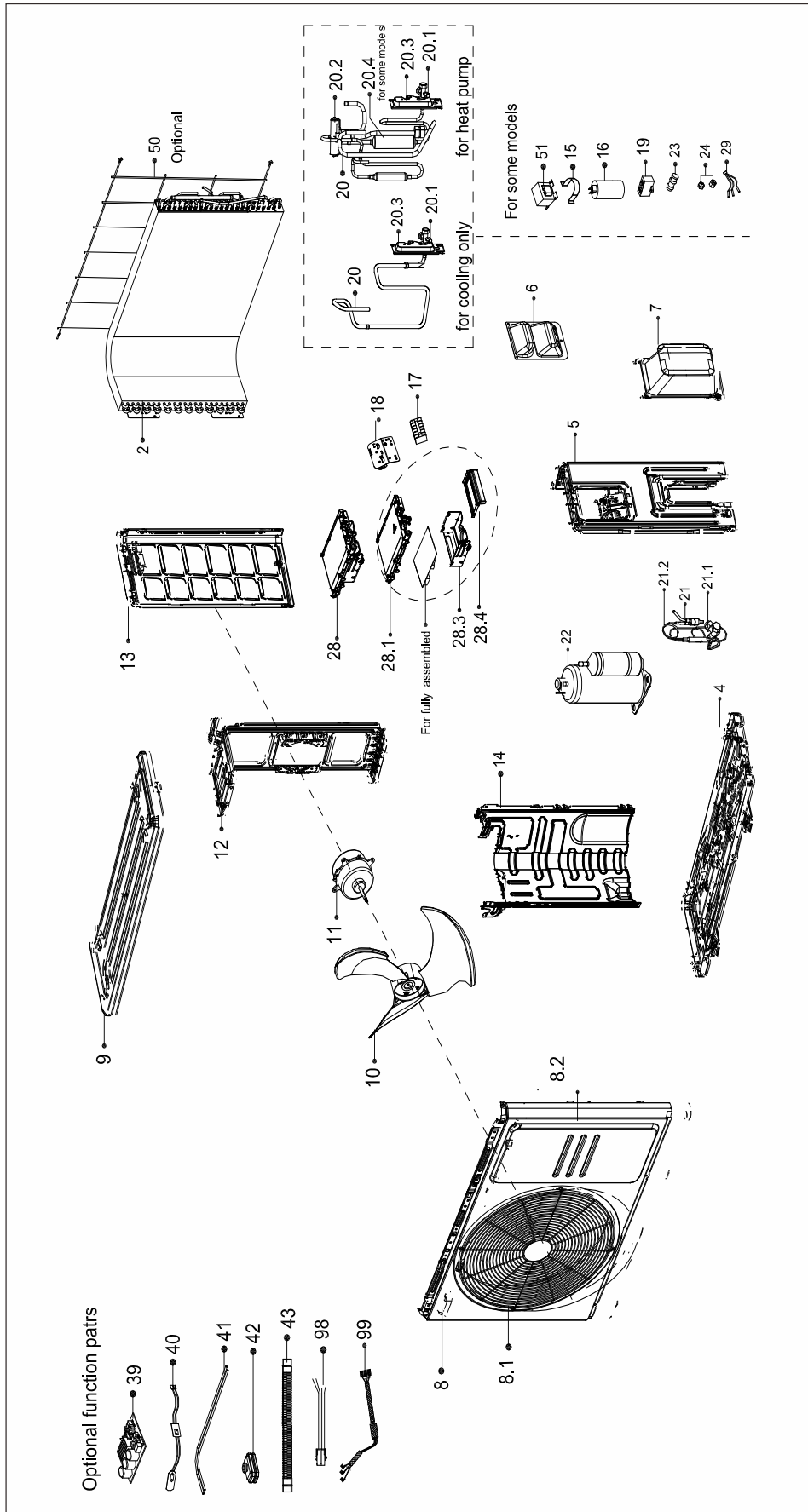
MARS®
Delivering Confidence

REPLACEMENT PARTS LIST

Single Zone Ductless Mini-Split with Inverter Technology

A-SVH09SB-1

EXPLODED VIEW



REPLACEMENT PARTS

Location	Part Name	Quantity	Part No.
2	Condenser assembly	1	15822000009658
4	Chassis assembly	1	12222000013427
5	Right clapboard assembly	1	12222000012141
6	Big handle assembly	1	12222000010966
7	Water collector	1	12122000007150
8	Front panel assembly	1	12222000013185
8.1	Air outlet grille	1	12222000013187
8.2	Front panel	1	12222000013186
9	Top cover assembly	1	12222000014305
10	Axial flow fan	1	12100105000821
11	Brushless DC Motor	1	11002015000396
12	Supporter of fan motor	1	12222000012390
13	Left supporter	1	12222000012135
14	Partition board assembly	1	12222000013428
17	Terminal	1	17400401000068
18	Terminal board	1	12222000002259
20	4-way Valve Assembly	1	15422000017673
20.1	Gas valve	1	15500204000021
20.2	4-way valve	1	15500216001903
20.3	Valve plate	1	12222000002571
20.4	Muffler Subassembly	1	15122000025014
21	Liquid valve Assembly	1	15422000016417
21.1	Liquid valve	1	15500208000028
21.2	Capillary	1	15122000011919
22	DC Inverter rotary compressor	1	11103020005082
24	Copper nut	1	15500406000010
24	Copper nut	1	15500406000016
28	Electronic control box subassembly	1	17222000A58791
28.1	Support of electronic control box	1	12122000024223
28.3	Electronic installing box subassembly	1	12222000012106
28.4	Fixing board	1	12122000024222
29	Combination sensor	1	11201011000067
40	Crankcase electric heating strip	1	17402001000600
41	Electric heating tube	1	17402002000464
43	Drain pipe	1	12100509000059
50	Rear net	1	12222000012385
99	Compressor wire subassembly	1	17401203012697

Due to ongoing product improvements, specifications and dimensions are subject to change and correction without notice or incurring obligations. Determining the application and suitability for use of any product is the responsibility of the installer. Additionally, the installer is responsible for verifying dimensional data on the actual product prior to beginning any installation preparations.

Incentive and rebate programs have precise requirements as to product performance and certification. All products meet applicable regulations in effect on date of manufacture; however, certifications are not necessarily granted for the life of a product. Therefore, it is the responsibility of the applicant to determine whether a specific model qualifies for these incentive/rebate programs.

Comfort-Cire®  **Century**®

1900 Wellworth Ave., Jackson, MI 49203 • Ph. 517-787-2100 • www.marsdelivers.com

